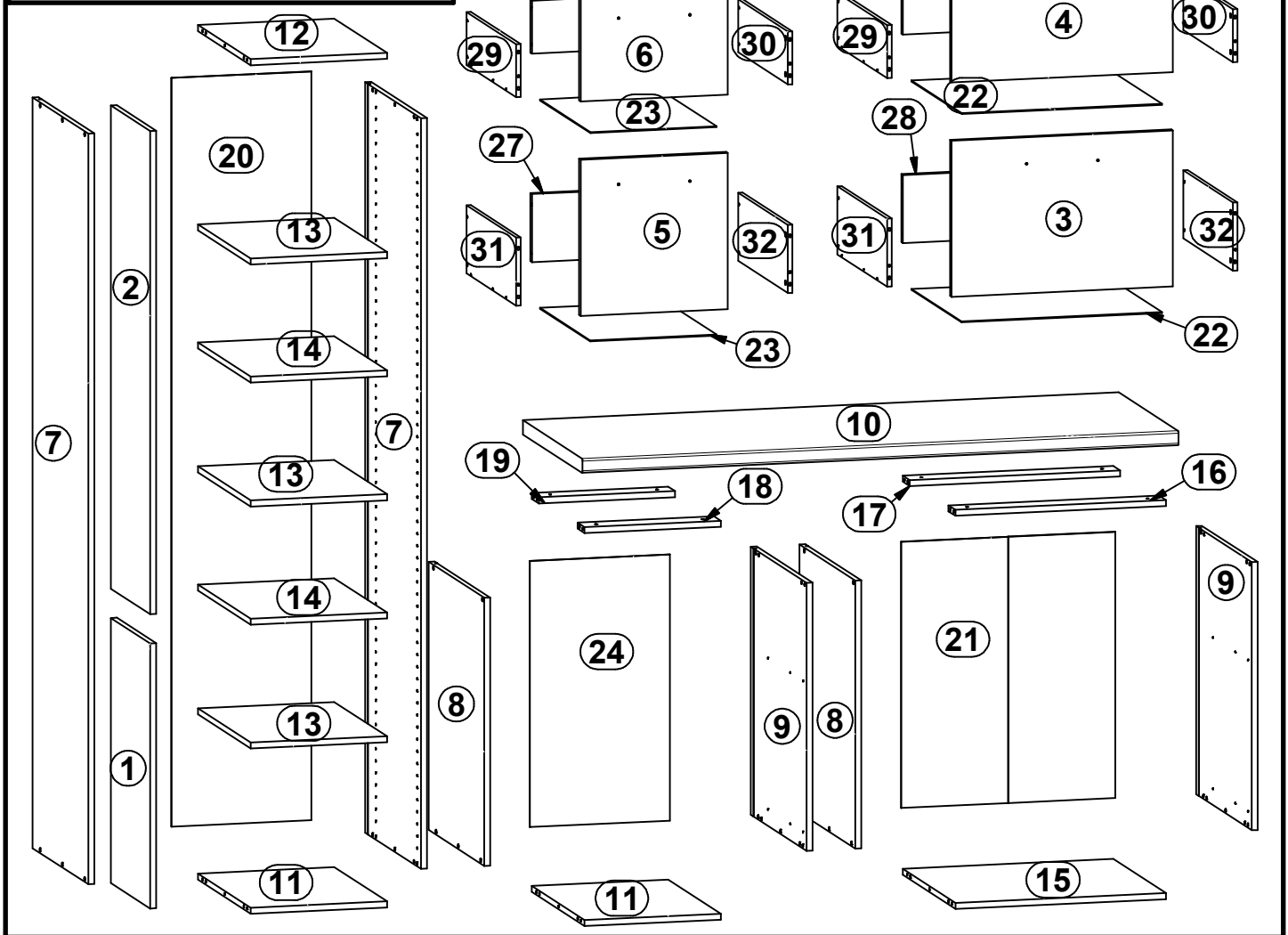
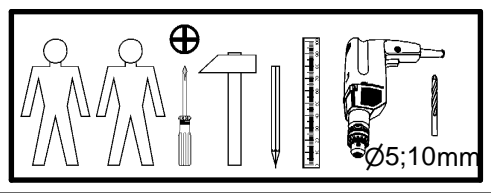
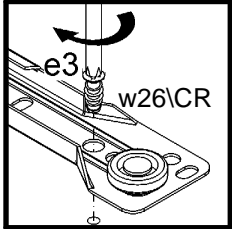
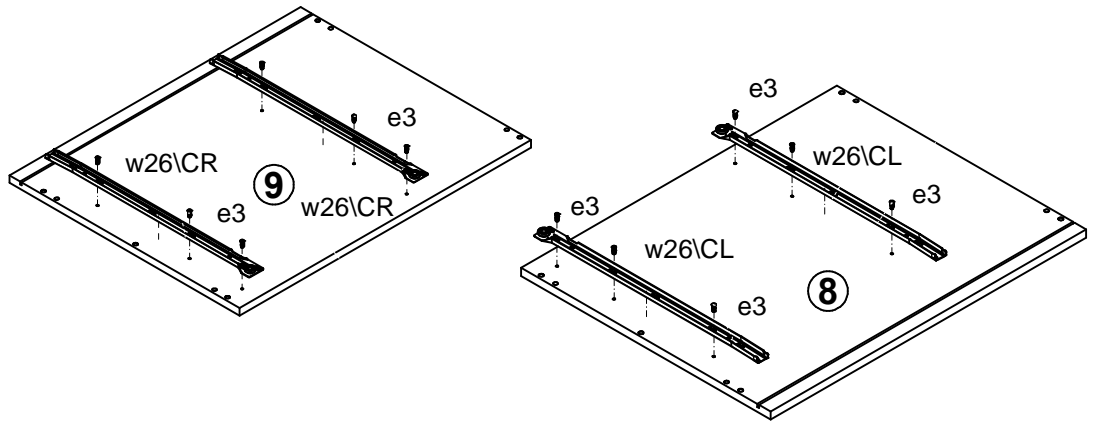


A	B	C	D	A	B	C	D	A	B	C	D			
1	K29-0001	701	396	5/5	12	K29-3002	367	530	2/5	23	K29-9005	340	505	5/5
2	K29-0002	1278	396	5/5	13	K29-3003	367	530	2/5	24	K29-9006	704	377	2/5
3	K29-0014	596	413	5/5	14	K29-3004	367	530	1/5	25	ZS3-5588	518	140	1/5
4	K29-0015	596	285	5/5	15	K29-3005	567	530	2/5	26	ZS3-5659	318	140	1/5
5	K29-0016	396	413	5/5	16	K29-4001	567	70	1/5	27	ZS3-5660	318	180	1/5
6	K29-0017	396	285	5/5	17	K29-4002	567	70	1/5	28	ZS3-5661	518	180	1/5
7	K29-1001	1985	560	1/5	18	K29-4005	367	70	1/5	29	ZS4-533	500	140	2/5
8	K29-1004	709	560	1/5	19	K29-4006	367	70	1/5	30	ZS4-534	500	140	2/5
9	K29-1005	709	560	3/5	20	K29-9001	1980	377	1/5	31	ZS4-545	500	180	2/5
10	K29-2003	1605	600	3/5	21	K29-9302	704	577	5/5	32	ZS4-546	500	180	2/5
11	K29-3001	367	530	1/5	22	K29-9004	540	505	2/5					

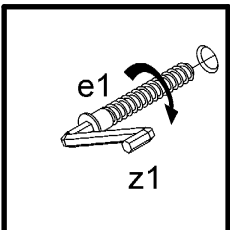
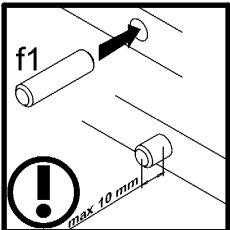
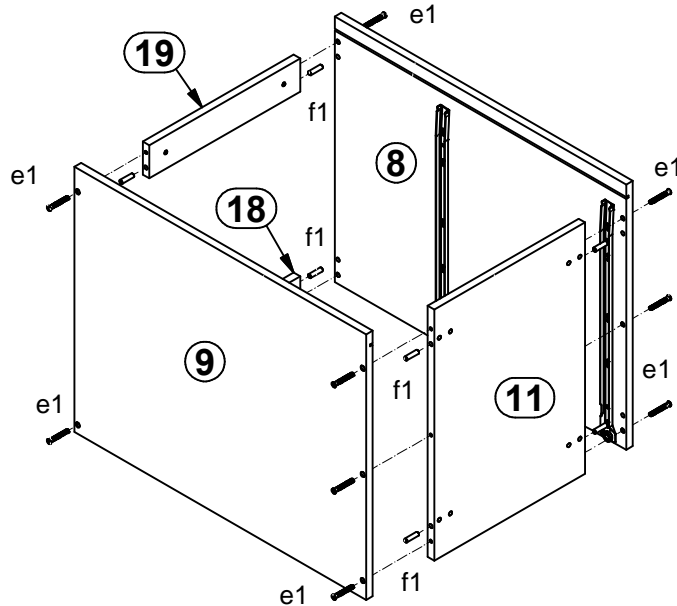


5x a64	5x b9	8x d28	32x e1 Ø7x50 mm	24x e19 Ø5x9 mm	24x e3 Ø6x13 mm	8x e5 Ø6.3x13 mm	24x f1 Ø8x30 mm	16x f25 Ø6.5x40 mm
1x f35 Ø10x50 mm	8x f9 Ø6x30 mm	12x j8 M4x25 mm	30x l1	1x n14 81x21x15/1.5	1x p17 Ø5x60 mm	36x p18 Ø4x18 mm	8x p21 Ø4x30 mm	18x p38 Ø3.5x16 mm
10x p51 Ø3.5x15 mm	16x r15 Ø12x10.5 mm #12	16x r42 20/11	4x w26\CL 500 mm	4x w26\CR 500 mm	4x w26\DL 500 mm	4x w26\DR 500 mm	1x z1	24x s1
12x d1 Ø5x17 mm	12x k20\1	12x k20\2	12x k20\3	12x k20\4	6x c386\2	10x e2 Ø6.3x13 mm		

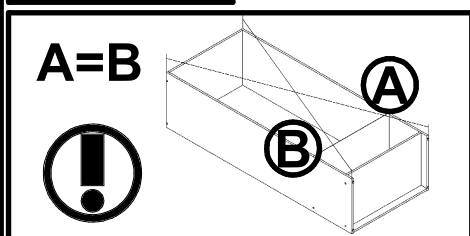
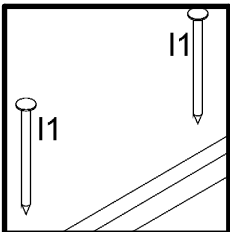
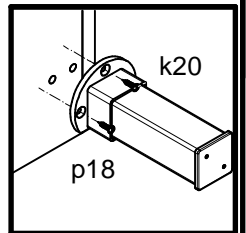
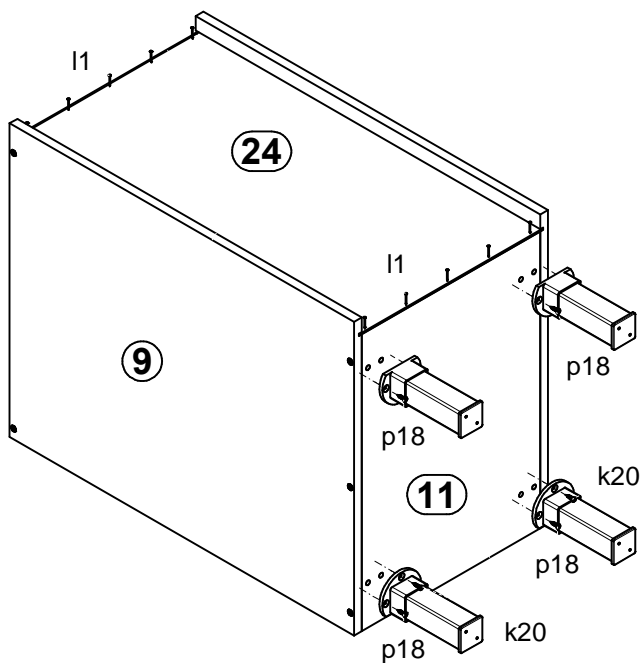
1 



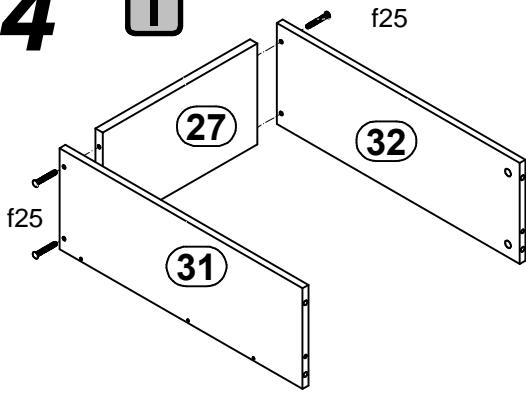
2 



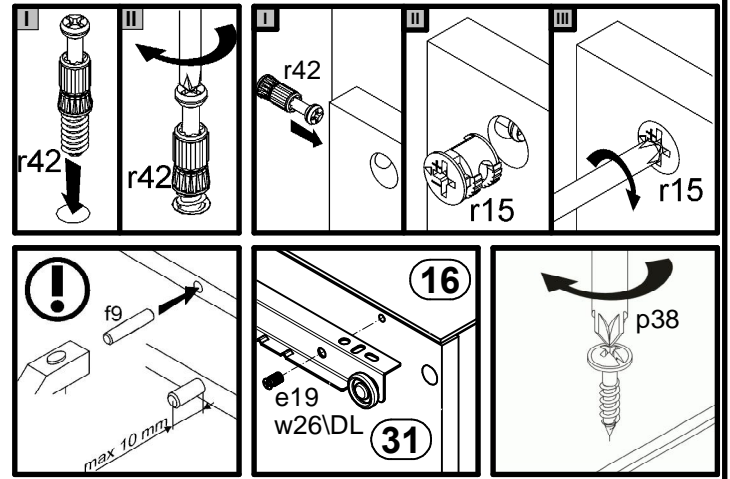
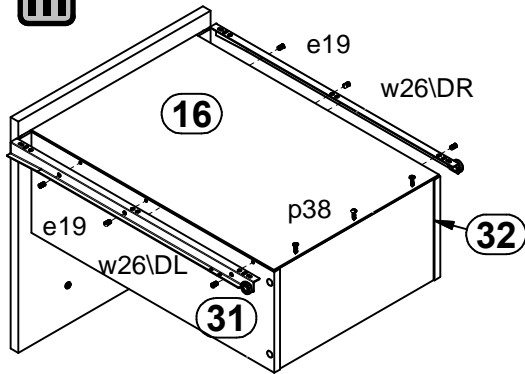
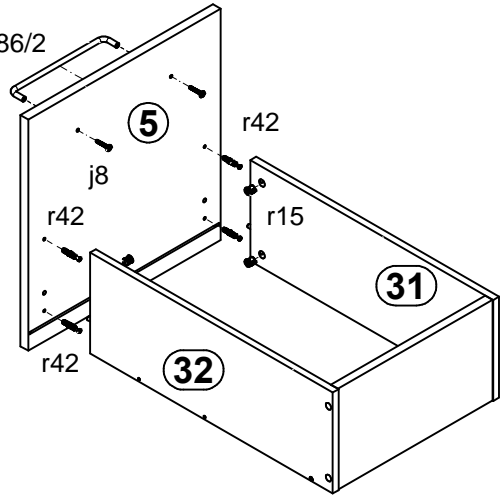
3



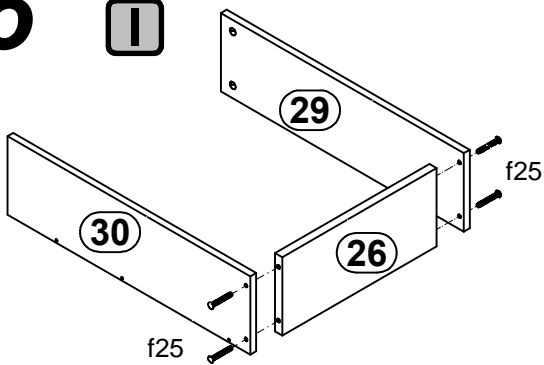
4



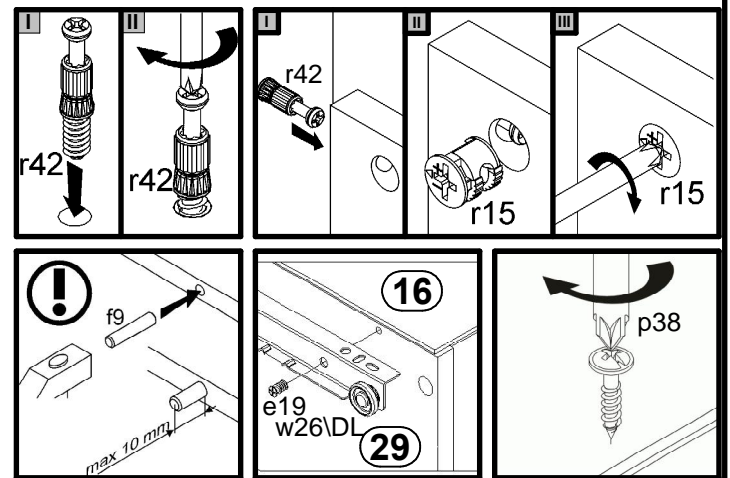
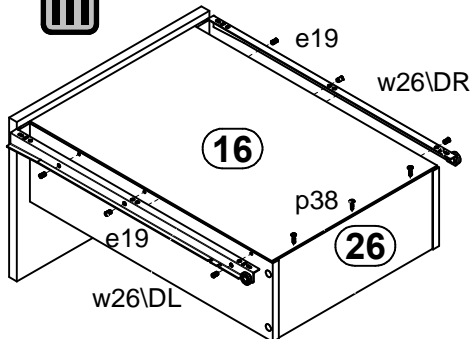
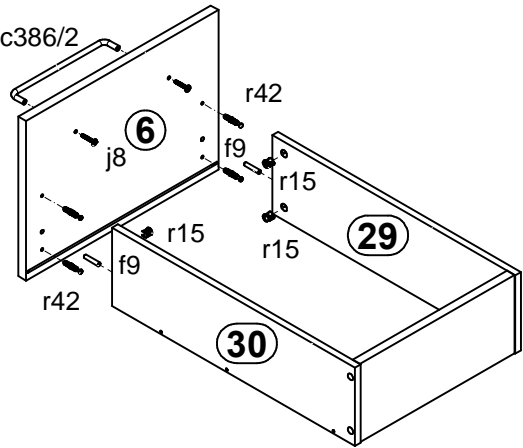
c386/2



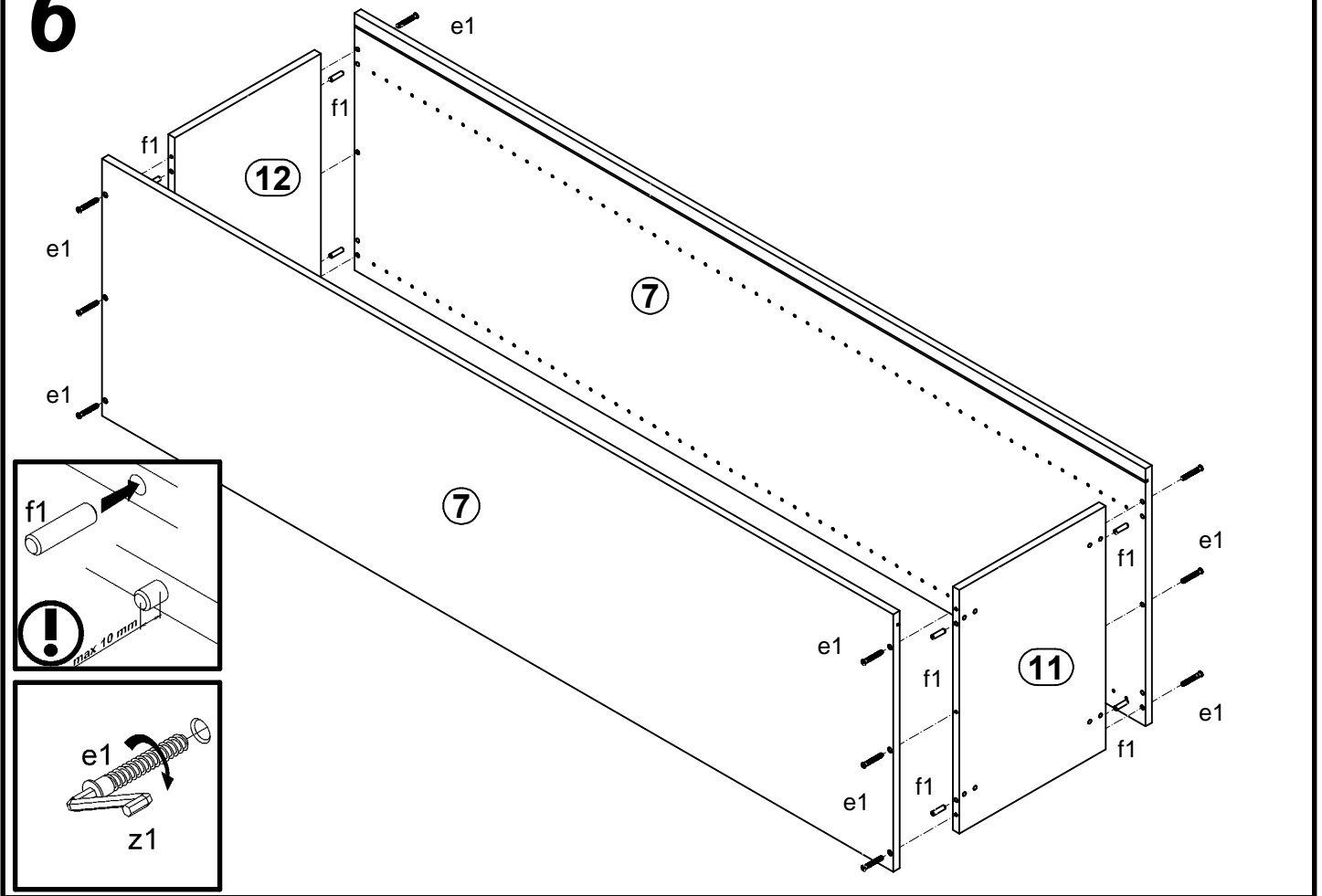
5



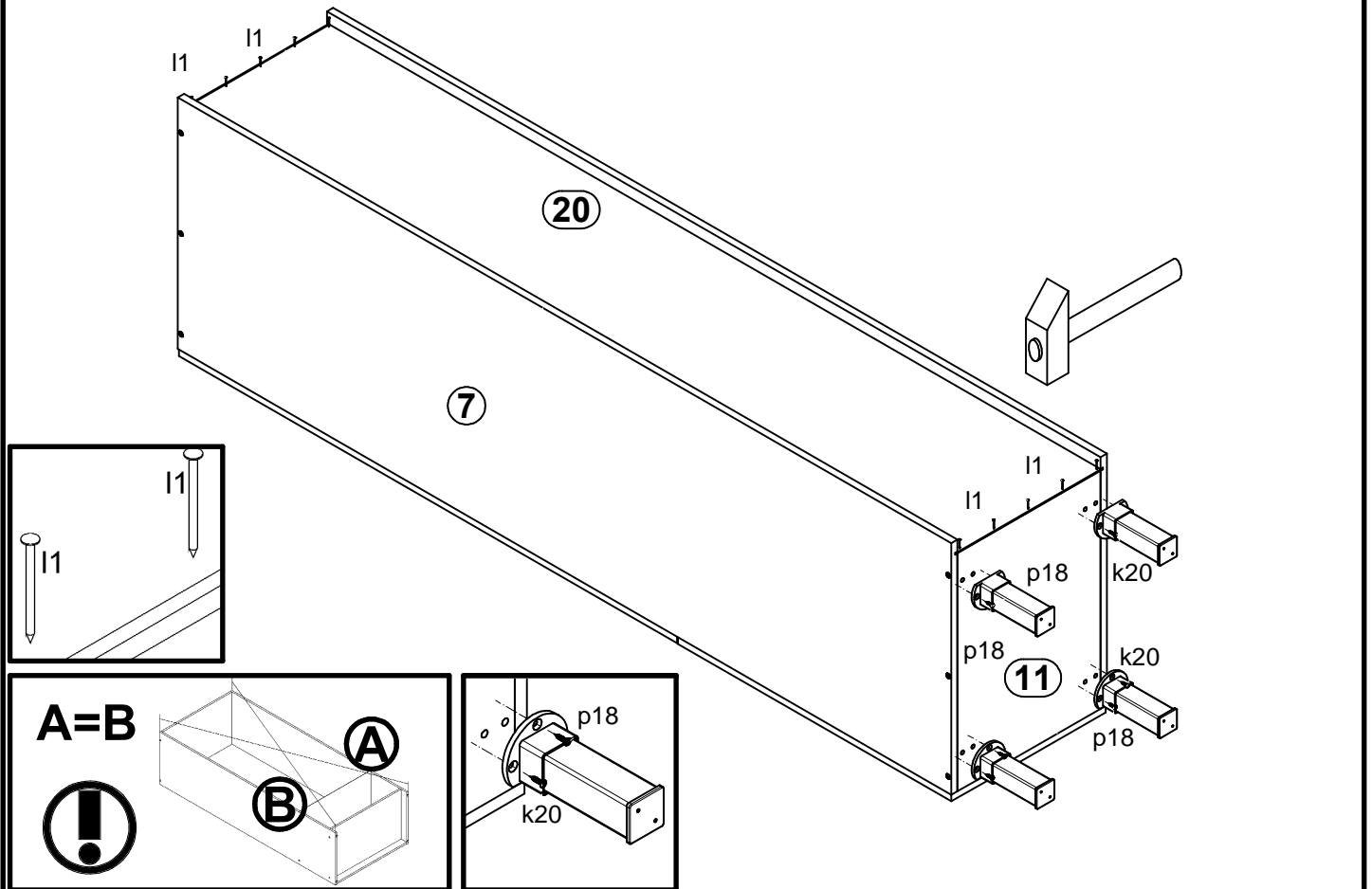
c386/2



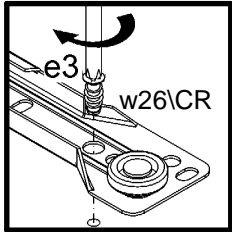
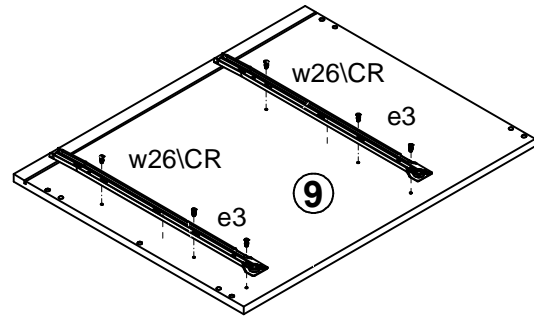
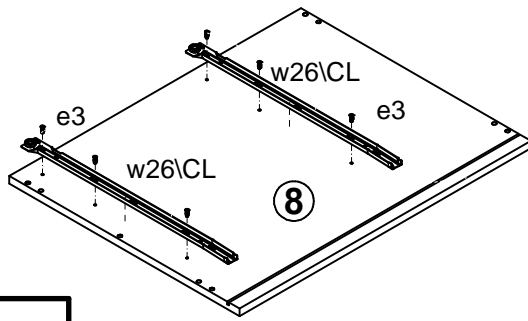
6



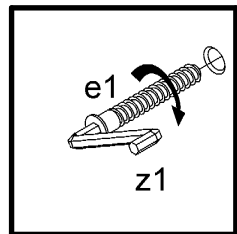
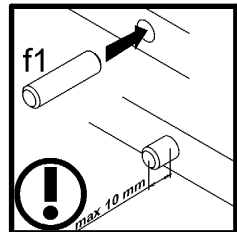
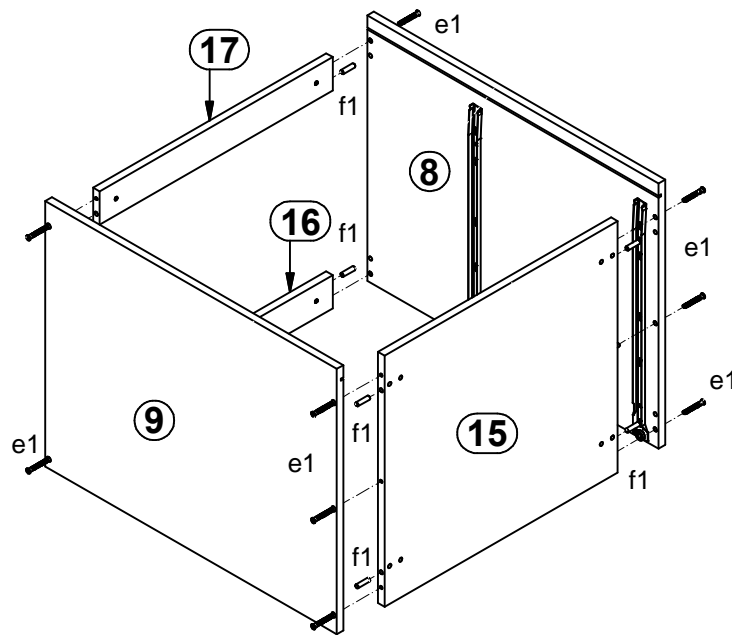
7



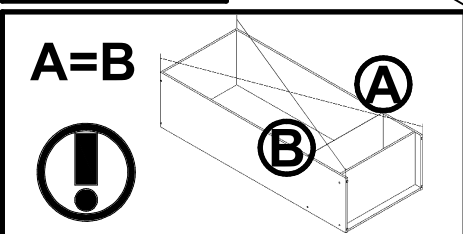
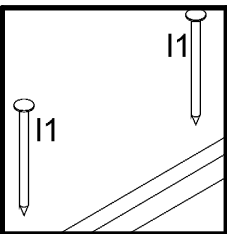
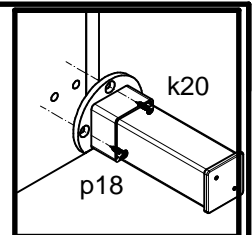
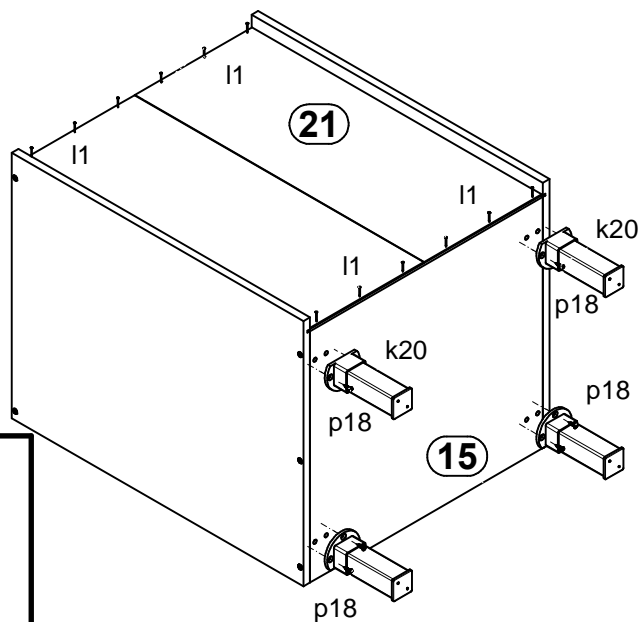
8



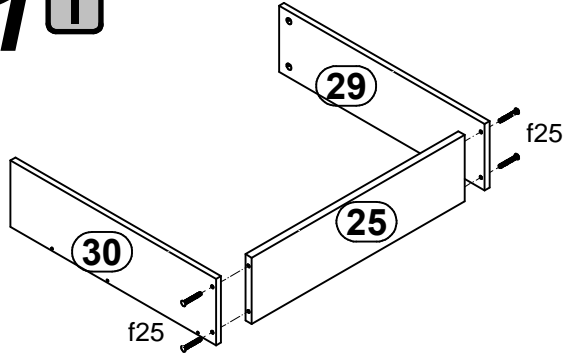
9



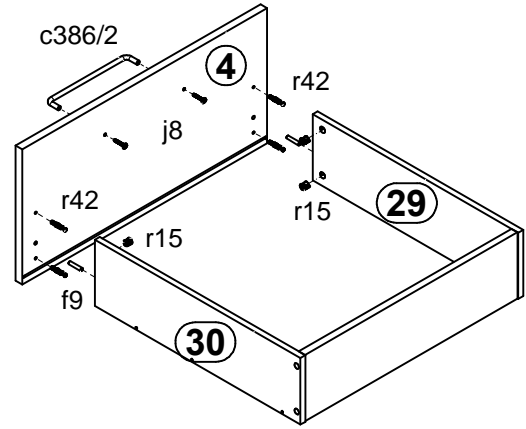
10



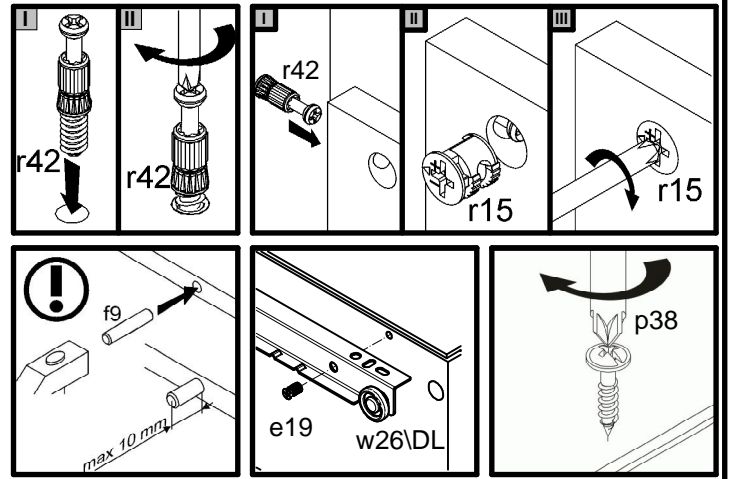
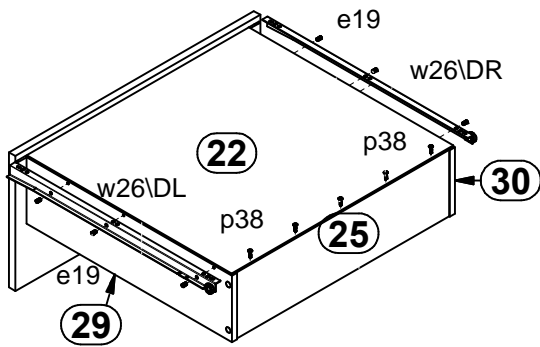
11



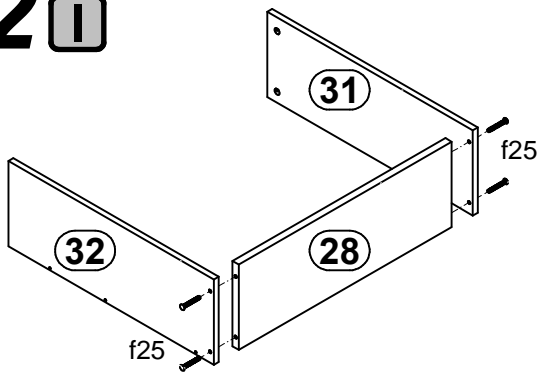
II



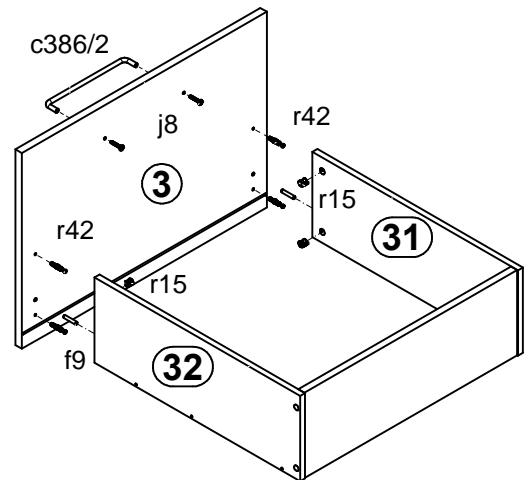
III



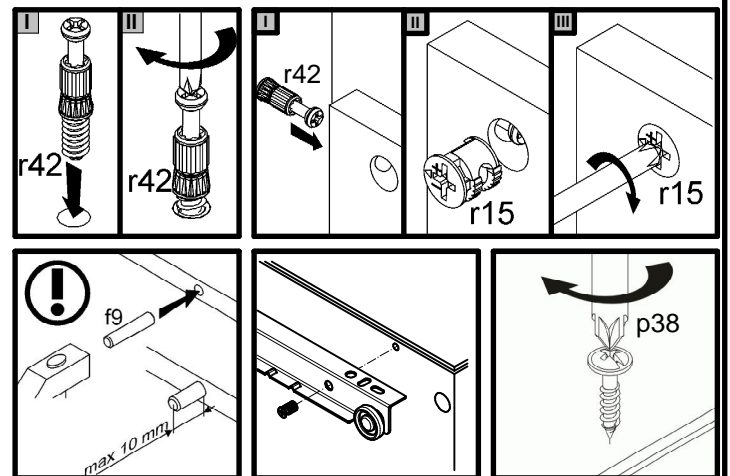
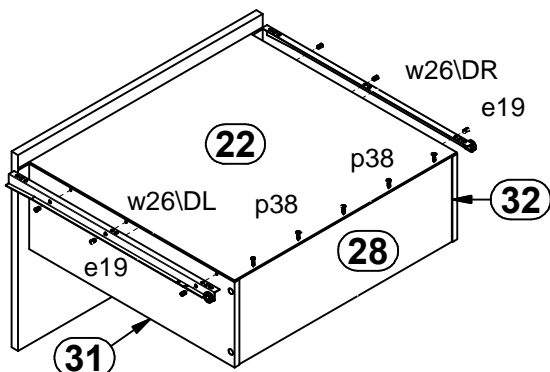
12



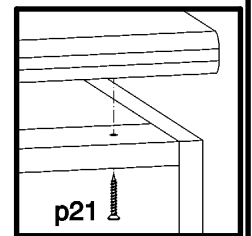
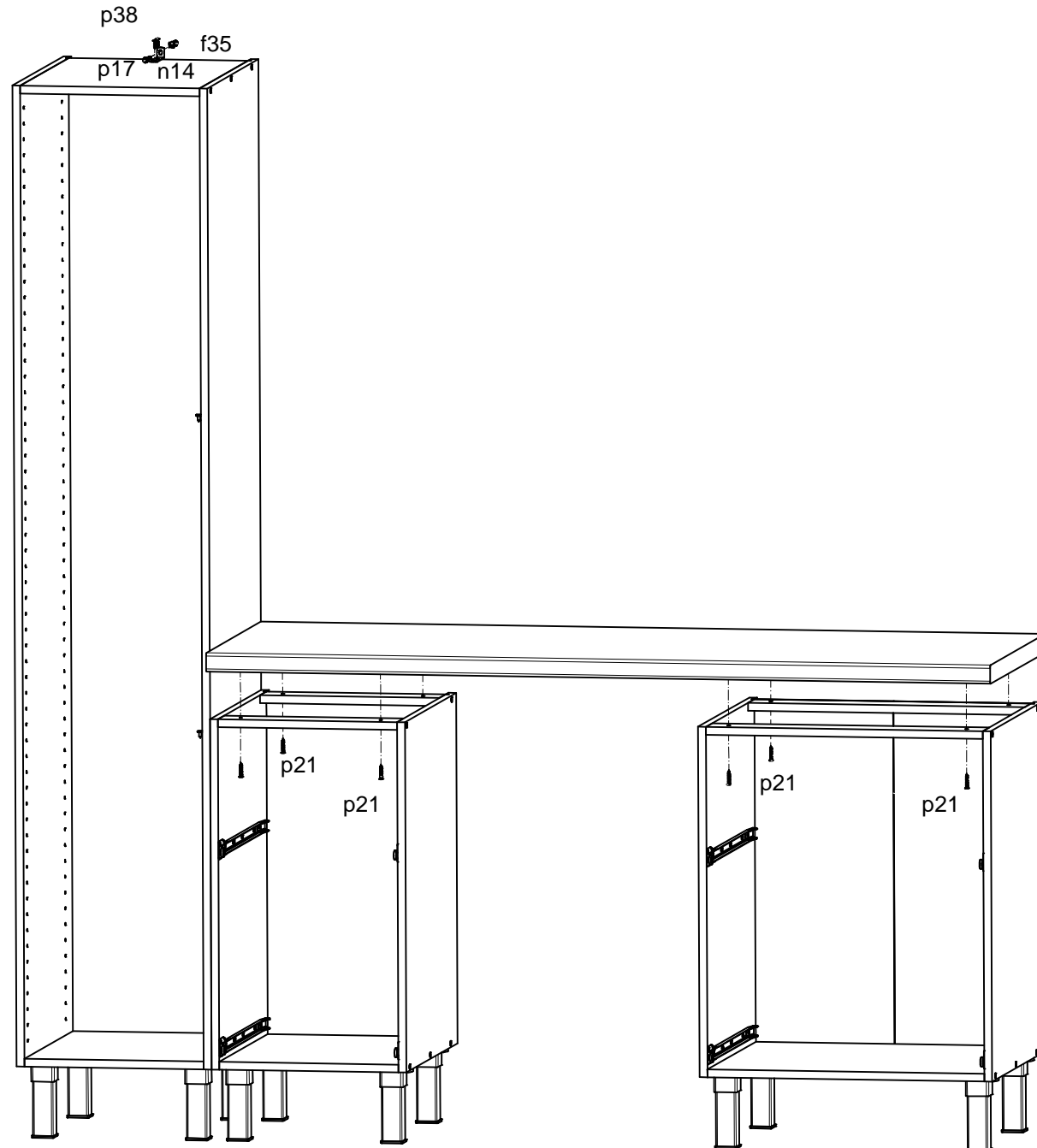
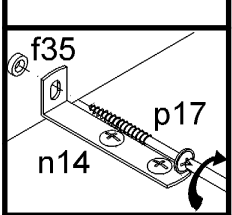
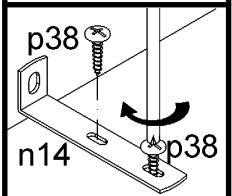
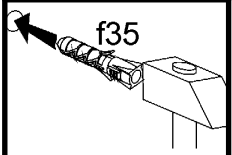
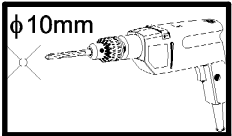
II



III



13



14

