

ATLANTIC TRIVISION EcoDesign PANADERO



MEASUREMENTS

DIMENSIONS H x W x D	797x639x400 mm
GROSS/NET WEIGHT	101/97 kg
FIREWOOD ENTRANCE	465x260 mm
SMOKE OUTLET	Ø 150-153 mm Top

CHARACTERISTICS



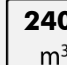



CAST IRON GRILL	
PANORAMIC VISION	
STEEL BODY SHEET	4 mm
NOMINAL HEAT OUTPUT	6,7 KW
EFFICIENCY	82,9%
CO EMISSIONS	0,07%
HEAT-RESISTANT PAINT RESISTANCE	800°C
PRINTET GLASS RESISTANCE	750°C

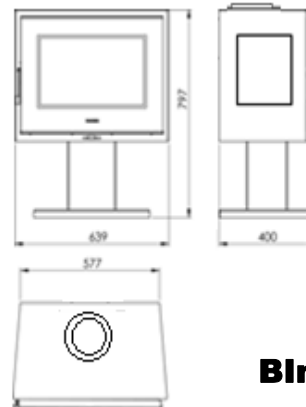
EAN 8426964184815
REF. PANADERO 18481

FEATURES

**COMPLYING WITH
ECODESIGN 2022**

**- HERMETIC
EXTERNAL
AIR INTAKE**

-  VERMICULITE LINING
-  WOOD LOGS 50 CM
-  **240**
m³ HEATING VOLUME
-  CLEAN-GLASS
SYSTEM
-  DOOR WITH PRINTET
GLASS
-  **3**
TRIPLE COMBUSTION



Art. 15a B-VG



BImSchV2



*flamme
VERTE* Le label
du chauffage
au bois **7★**