
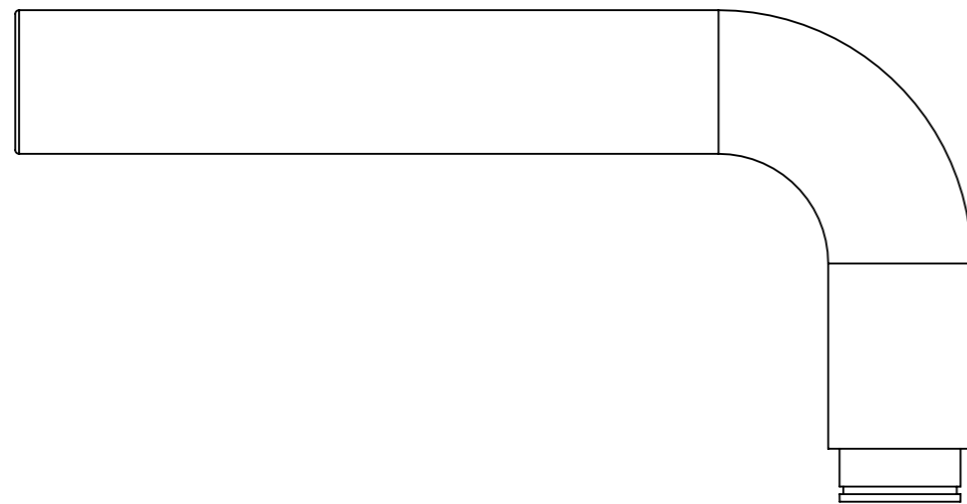
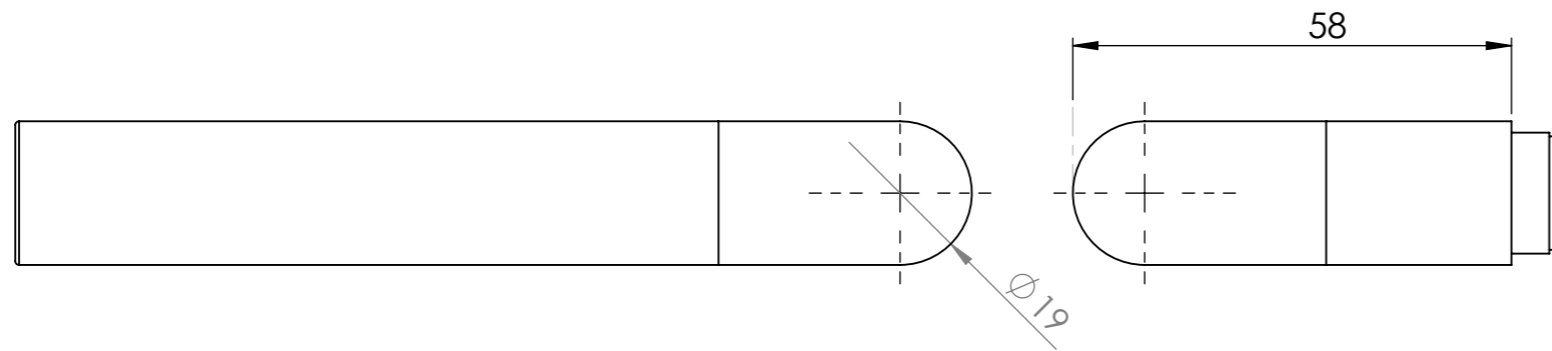
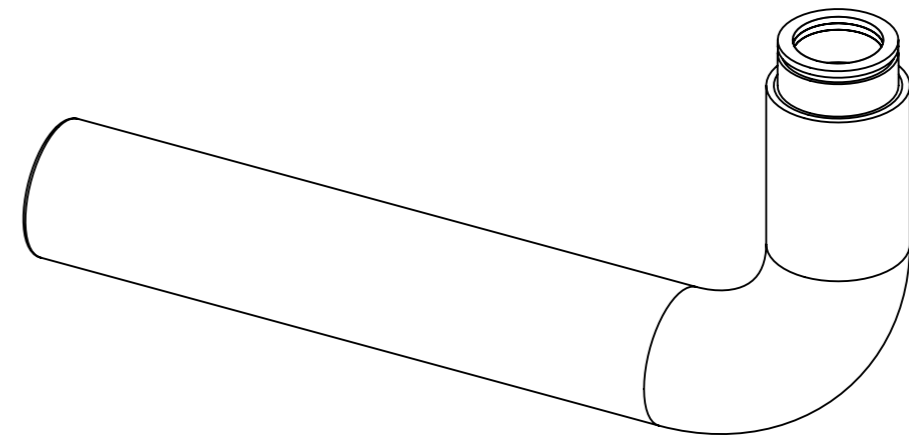
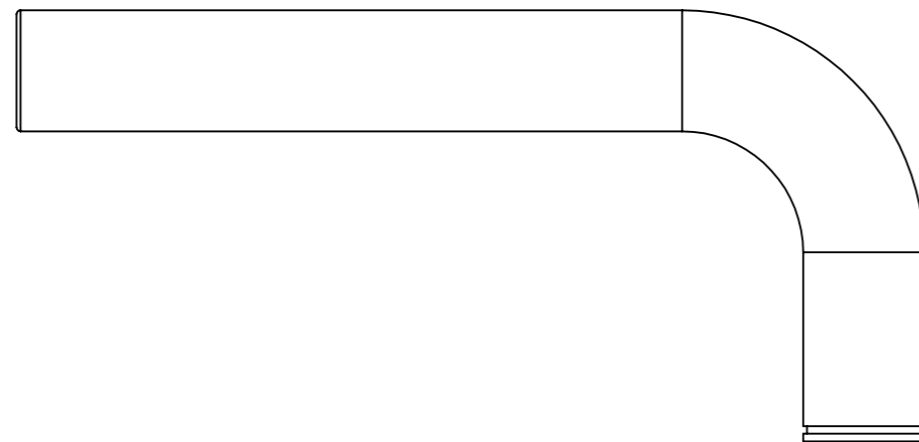
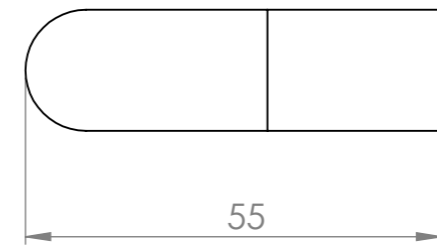
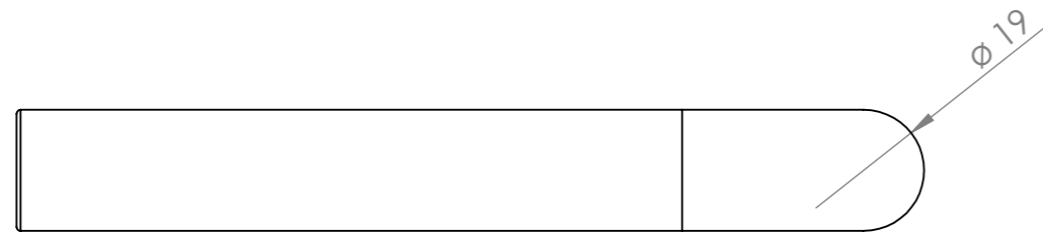
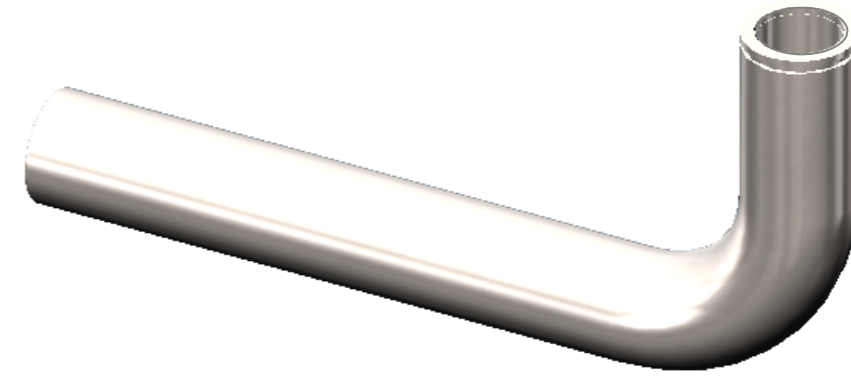
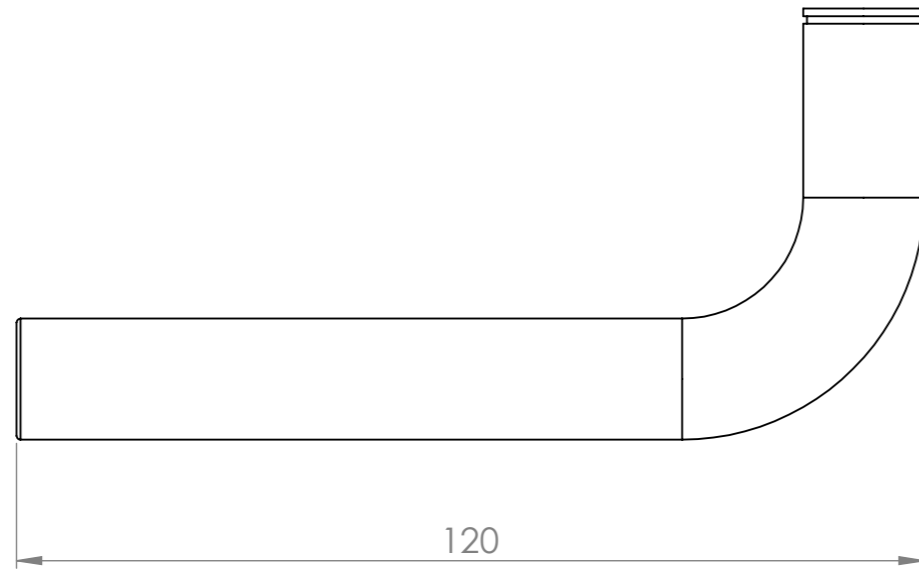



UNLESS OTHERWISE SPECIFIED: DIMENSIONS ARE IN MILLIMETERS SURFACE FINISH: TOLERANCES: LINEAR: ANGULAR:				FINISH:		DEBUR AND BREAK SHARP EDGES		DO NOT SCALE DRAWING		REVISION																																																																													
<table border="1"> <thead> <tr> <th></th> <th>NAME</th> <th>SIGNATURE</th> <th>DATE</th> <th></th> <th></th> <th></th> <th></th> </tr> </thead> <tbody> <tr> <td>DRAWN</td> <td></td> <td></td> <td></td> <td></td> <td></td> <td></td> <td></td> </tr> <tr> <td>CHK'D</td> <td></td> <td></td> <td></td> <td></td> <td></td> <td></td> <td></td> </tr> <tr> <td>APPV'D</td> <td></td> <td></td> <td></td> <td></td> <td></td> <td></td> <td></td> </tr> <tr> <td>MFG</td> <td></td> <td></td> <td></td> <td></td> <td></td> <td></td> <td></td> </tr> <tr> <td>Q.A</td> <td></td> <td></td> <td></td> <td></td> <td></td> <td></td> <td></td> </tr> <tr> <td></td> <td></td> <td></td> <td></td> <td></td> <td></td> <td></td> <td></td> </tr> <tr> <td></td> <td></td> <td></td> <td></td> <td></td> <td></td> <td></td> <td></td> </tr> <tr> <td></td> <td></td> <td></td> <td></td> <td></td> <td></td> <td></td> <td></td> </tr> </tbody> </table>									NAME	SIGNATURE	DATE					DRAWN								CHK'D								APPV'D								MFG								Q.A																																TITLE:				DWG NO. 16623		A3	
									NAME	SIGNATURE	DATE																																																																												
								DRAWN																																																																															
								CHK'D																																																																															
								APPV'D																																																																															
MFG																																																																																							
Q.A																																																																																							
MATERIAL:		SCALE:1:1																																																																																					
WEIGHT:		SHEET 1 OF 1																																																																																					



UNLESS OTHERWISE SPECIFIED: DIMENSIONS ARE IN MILLIMETERS SURFACE FINISH: TOLERANCES: LINEAR: ANGULAR:				FINISH:		DEBUR AND BREAK SHARP EDGES		DO NOT SCALE DRAWING		REVISION	
								habo			
								TITLE:			
DRAWN	NAME	SIGNATURE	DATE								
CHK'D											
APPV'D											
MFG											
Q.A				MATERIAL:				DWG NO.		16624	
								SCALE:1:1		A3	
				WEIGHT:				SHEET 1 OF 1			



UNLESS OTHERWISE SPECIFIED: DIMENSIONS ARE IN MILLIMETERS SURFACE FINISH: TOLERANCES: LINEAR: ANGULAR:				FINISH:		DEBUR AND BREAK SHARP EDGES		DO NOT SCALE DRAWING		REVISION																																																					
<table border="1"> <thead> <tr> <th></th> <th>NAME</th> <th>SIGNATURE</th> <th>DATE</th> <th></th> <th></th> <th></th> <th></th> </tr> </thead> <tbody> <tr> <td>DRAWN</td> <td></td> <td></td> <td></td> <td></td> <td></td> <td></td> <td></td> </tr> <tr> <td>CHK'D</td> <td></td> <td></td> <td></td> <td></td> <td></td> <td></td> <td></td> </tr> <tr> <td>APPV'D</td> <td></td> <td></td> <td></td> <td></td> <td></td> <td></td> <td></td> </tr> <tr> <td>MFG</td> <td></td> <td></td> <td></td> <td></td> <td></td> <td></td> <td></td> </tr> <tr> <td>Q.A</td> <td></td> <td></td> <td></td> <td></td> <td></td> <td></td> <td></td> </tr> </tbody> </table>									NAME	SIGNATURE	DATE					DRAWN								CHK'D								APPV'D								MFG								Q.A										TITLE:		DWG NO. 16625		A3	
									NAME	SIGNATURE	DATE																																																				
								DRAWN																																																							
								CHK'D																																																							
								APPV'D																																																							
MFG																																																															
Q.A																																																															
MATERIAL:		SCALE:1:1		SHEET 1 OF 1																																																											
WEIGHT:																																																															