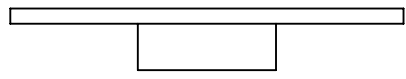
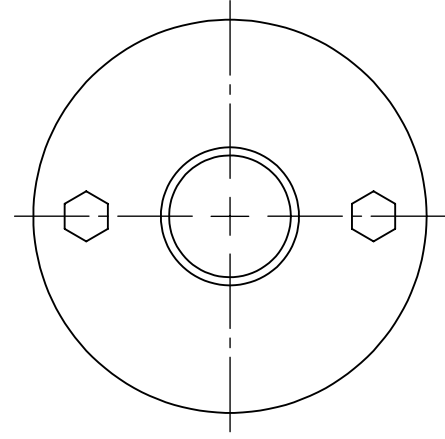
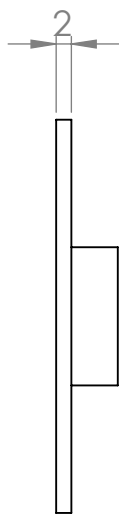
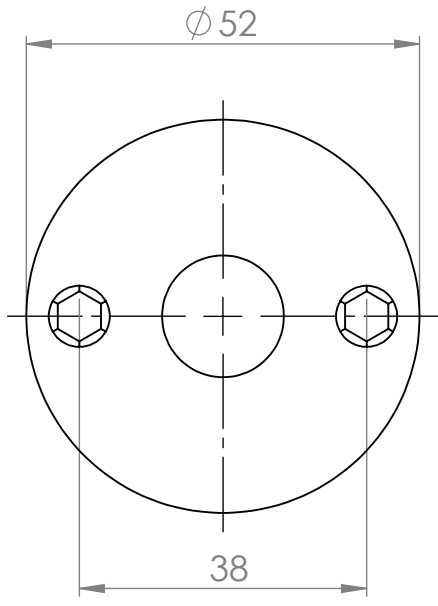
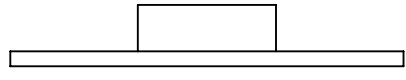


Rev	1	2	3	4
Note				
CreatedBy				
Appr.By				
Appr.Date				

A  
B  
C  
D  
E

A  
B  
C  
D  
E



Tolerance			Project		
Sign.	Date	Surface treatment	Weight	Scale	First angle projection
Drawn	CF	2017-09-11	Surface finish	1:1	
Appr.		Heat treatment	Material	Sheet	1/1
			Title/Description		Rev
			Drawing number		10339